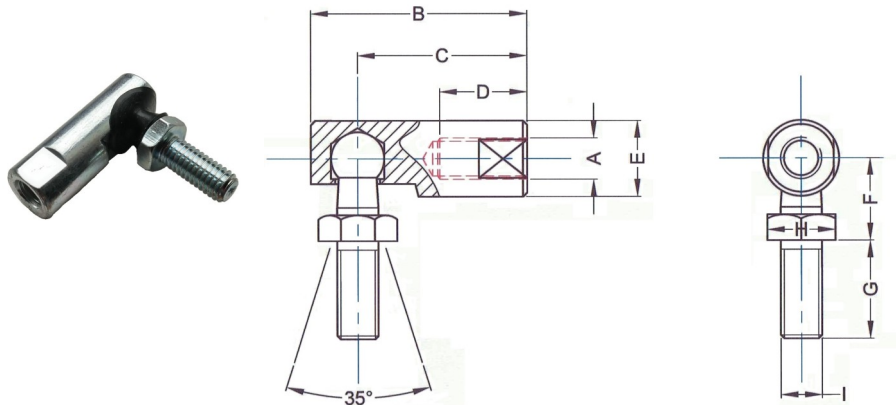


# 'F' Type Inch Ball Joint Data Sheet

## BJFR Ball Joint



Part No.	A UNF	B	C	D	E	F	G	H	I UNF
BJFR187	10-32	27.0	22.2	11.1	9.5	11.1	11.1	8.0	10-32
BJFR250	1/4"	31.0	24.6	12.7	11.1	11.9	14.3	9.5	1/4"
BJFR312	5/16"	35.7	28.6	14.3	12.7	13.5	17.5	11.1	5/16"
BJFR312x250	5/16"	35.7	28.6	14.3	12.7	13.5	17.5	11.1	1/4"
BJFR375	3/8"	42.9	34.9	19.0	15.9	17.5	22.2	12.7	3/8"
BJFR435	7/16"	60.3	49.2	25.4	19.0	22.2	28.6	15.9	7/16"
BJFR500	1/2"	60.3	49.2	25.4	19.0	22.2	28.6	15.9	1/2"
BJFR625	5/8"	65.5	52.4	25.4	22.2	25.4	28.6	19.0	5/8"

### Material:

Ball stud AISI 1045 Carbon Steel, induction hardened.  
Housing AISI 1035 Carbon Steel.

### Protective Finish:

Zinc plated and passivated. Ball stud de-embrittled.  
The assembly is lubricated.

- Based upon SAE J 490 Standard .
- For improved wear resistance, the ball is induction hardened.
- Gaiter is fitted as standard.
- If 303/304 Stainless Steel is required the suffix 'SS' should be added to the part number e.g. BJFR312SS.
- If Marine grade 316 Stainless Steel is required the suffix 'SS316' should be added to the part number e.g. BJFR312SS316.

RollerTek Ltd  
47 Southalls Way  
Norwich  
NR3 4SA  
Phone: 01603 926326  
E-mail: mark@rollertek.co.uk  
Web: www.rollertek.co.uk

Co. Reg. No. 6691519  
VAT Reg. No. 944 7714 93