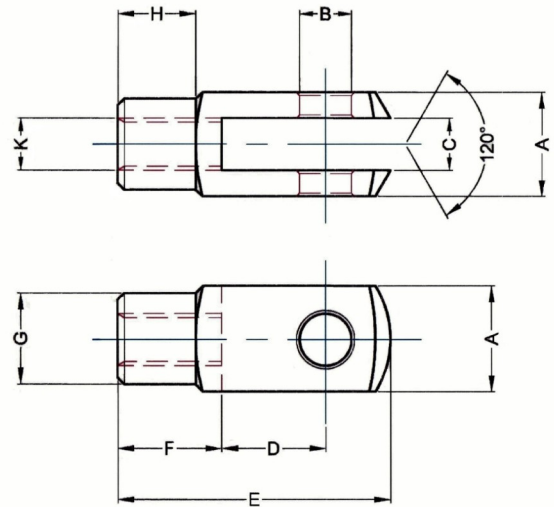


Metric Clevis Data Sheet

Metric Clevis



Part No.	A	B +0.06/-0.00	C	D	E	F	G	H	K ISO Pitch
CM04	8	4.00	4	8	21	8	8	6	M4x0.7
CML04	8	4.00	4	16	29	8	8	6	M4x0.7
CM05	10	5.00	5	10	26	10	9	7.5	M5x0.8
CML05	10	5.00	5	20	36	10	9	7.5	M5x0.8
CM06	12	6.00	6	12	31	12	10	9	M6x1.0
CML06	12	6.00	6	24	43	12	10	9	M6x1.0
CM08	16	8.00	8	16	42	16	14	12	M8x1.25
CML08	16	8.00	8	32	58	16	14	12	M8x1.25
CM10	20	10.00	10	20	52	20	18	15	M10x1.5
CML10	20	10.00	10	40	72	20	18	15	M10x1.5
CM12	24	12.00	12	24	62	24	20	18	M12x1.75
CML12	24	12.00	12	48	86	24	20	18	M12x1.75

Complies DIN 71752

Compatible with PSM and PSML Spring Pins or PCM Clevis Pins

Material:

AISI 1020 Low Carbon Steel

Protective Finish:

Zinc and Clear Trivalent Plated

RoHS Compliant

RollerTek Ltd
47 Southalls Way
Norwich
NR3 4SA
Phone: 01603 926326
E-mail: mark@rollertek.co.uk
Web: www.rollertek.co.uk

Co. Reg. No. 6691519
VAT Reg. No. 944 7714 93