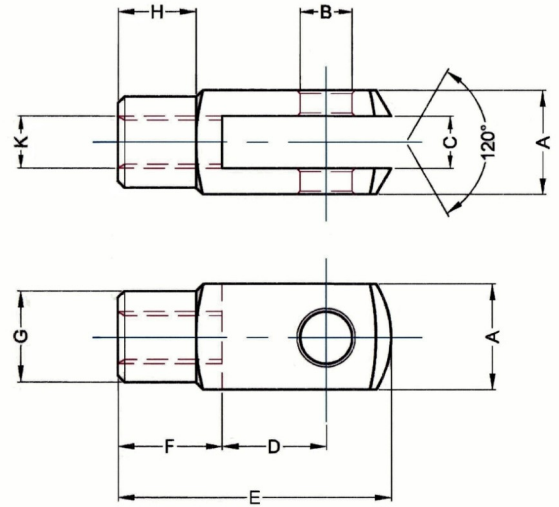


# Metric Clevis Data Sheet

## Metric Clevis



Part No.	A	B +0.06/-0.00	C	D	E	F	G	H	K ISO Pitch
CM0806	16	8.00	8	16	42	16	14	12	M6x1.0
CML0806	16	8.00	8	32	58	16	14	12	M6x1.0
CML10F	20	10.00	10	40	72	20	18	15	M10x1.25
CML1008	20	10.00	10	40	72	20	18	15	M8x1.25
CML1210	24	12.00	12	48	86	24	20	18	M10x1.5

### Based on DIN 71752

Compatible with PSM and PSML Spring Pins or PCM Clevis Pins

### Material:

AISI 1020 Low Carbon Steel

### Protective Finish:

Zinc and Clear Trivalent Plated

RoHS Compliant

RollerTek Ltd  
47 Southalls Way  
Norwich  
NR3 4SA  
Phone: 01603 926326  
E-mail: mark@rollertek.co.uk  
Web: www.rollertek.co.uk

Co. Reg. No. 6691519  
VAT Reg. No. 944 7714 93