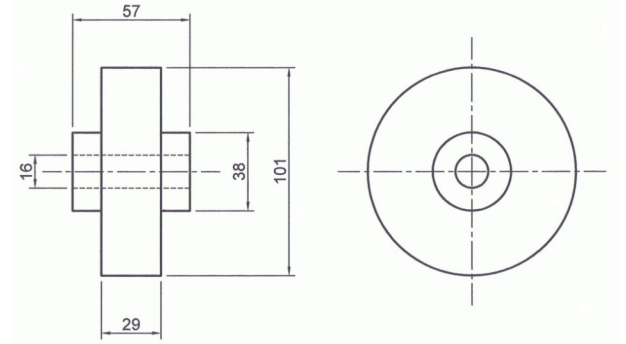
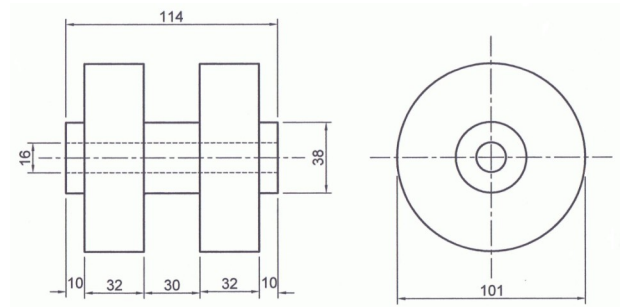


Side Roller Data Sheet

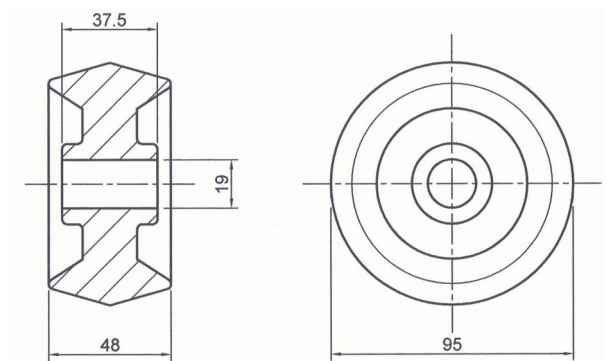
Single Chock
Part No.
RRSS45-16



Double Chock
Part No.
RRSD45-16



Castor Roller
Part No.
RRC95-19



RollerTek Ltd
5 Kings Road
Guildford
GU1 4JW
Phone: 01483 532973
E-mail: mark@rollertek.co.uk
Web: www.rollertek.co.uk

Co. Reg. No. 6691519
VAT Reg. No. 944 7714 93

Hardness: 80 Shore A